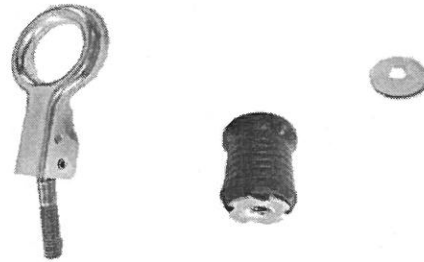


SNAP PLUG INSTALLATION INSTRUCTIONS

Plug kit include:

- 1 Tightening Key (Spanner)
- 1 Rubber Plug w/T-Nut
- 1 Flat washer



Step 1

Take a metal bracket.



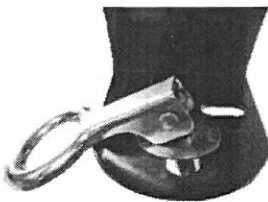
Step 2

Install the flat washer in one of the three holes provided therefore. (Depending on installation)



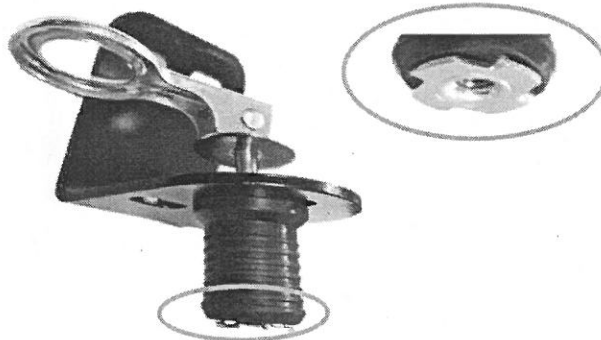
Step 3

Pass the threaded part of spanner through the flat washer.

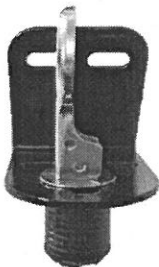


Step 4

Insert the rubber plug on the threaded part of the key and screw it with the T-Nut.



Your support is ready.



Important

We suggest to install the Snap Tite Plug before you fix the brackets to the trunk.

Attention

This clip is designed to Polaris only.
Don't use the key ring to attach a clip or other object.

INSTALLATION GUIDE FOR 85L TRUNK

Locate all pre-drilled holes corresponding to your type of vehicle and puncture these holes using a 3/8" Ø drill bit (all vehicle types do not necessary need drilling). For installation of the quick fastening devices, please refer to the back of these instructions.

- A: Polaris RZR 900 before 2015 (2 & 4 seats)
- B: Polaris RZR 800 (2 seats) [optional]
- D: Artic Cat Wildcat 1000 (2 & 4 seats)
- C / E / F: Unused

For Polaris RZR 900 before 2015: Install the metal brackets using 4x screws. Do not tighten. Install the quick fastening devices in these two brackets and in the pre-drilled hole (Letter "A"). Mount onto the vehicle and then tighten the screws firmly.

For Polaris RZR 800: Install the metal brackets using 4x screws. Do not tighten. Install the quick fastening devices in these two brackets and in the pre-drilled hole (letter "B"). Since this pre-drilled hole is optional, only the 2 front fasteners can be used. Mount onto the vehicle and then tighten the screws firmly. Install the clamp fastener on the vehicle's cab frame (cage) using the remaining screw and flat washer. This screw will be screwed in the trunk's highest threaded hole.

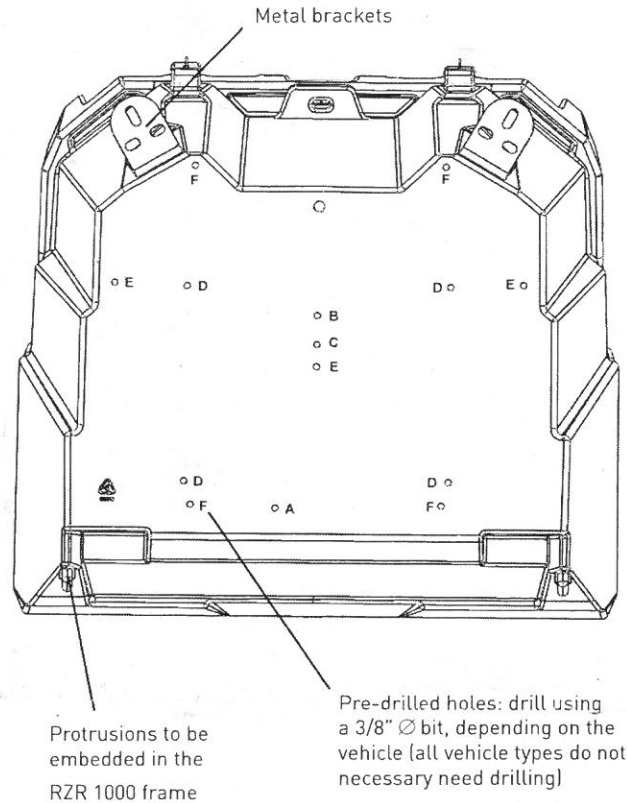
For Polaris RZR 570: Refer to RZR 800 installation instructions. The threaded hole used for the clamp fastener will be the bottom hole for this vehicle.

For Artic Cat Wildcat 1000: Unscrew the 4 bolts holding the bottom of the vehicle's frame, install the trunk and screw back these bolts in the pre-drilled holes (letter "D").

For the BRP Maverick (2 & 4 seats): Place the trunk onto the vehicle at the desired location. Mark the location of the two furthest LinQ apart in front of the trunk, then the most distant towards the front of the vehicle. Cut out the shape of the LinQ mounts at the bottom of the trunk, then install with 3 LinQ mounts (not provided).

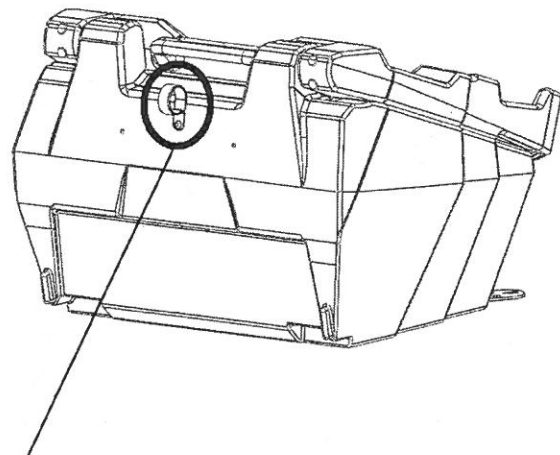
For Polaris RZR 1000: Install the metal brackets using 4x screws. Do not tighten. Install the quick fastening devices in these two brackets. Glide the trunk onto the bottom of the vehicle's frame so that the 2 back protrusions are embedded in the frame. Tighten the screws firmly.

For VTTs: Use the 3 "U" fasteners provided to secure the trunk onto the vehicle cage.



Protrusions to be embedded in the RZR 1000 frame

Pre-drilled holes: drill using a 3/8" Ø bit, depending on the vehicle (all vehicle types do not necessary need drilling)



Clamp fastener to be used for RZR 570 and 800 vehicles.

Top threaded hole: RZR 800

Bottom threaded hole: RZR 570